

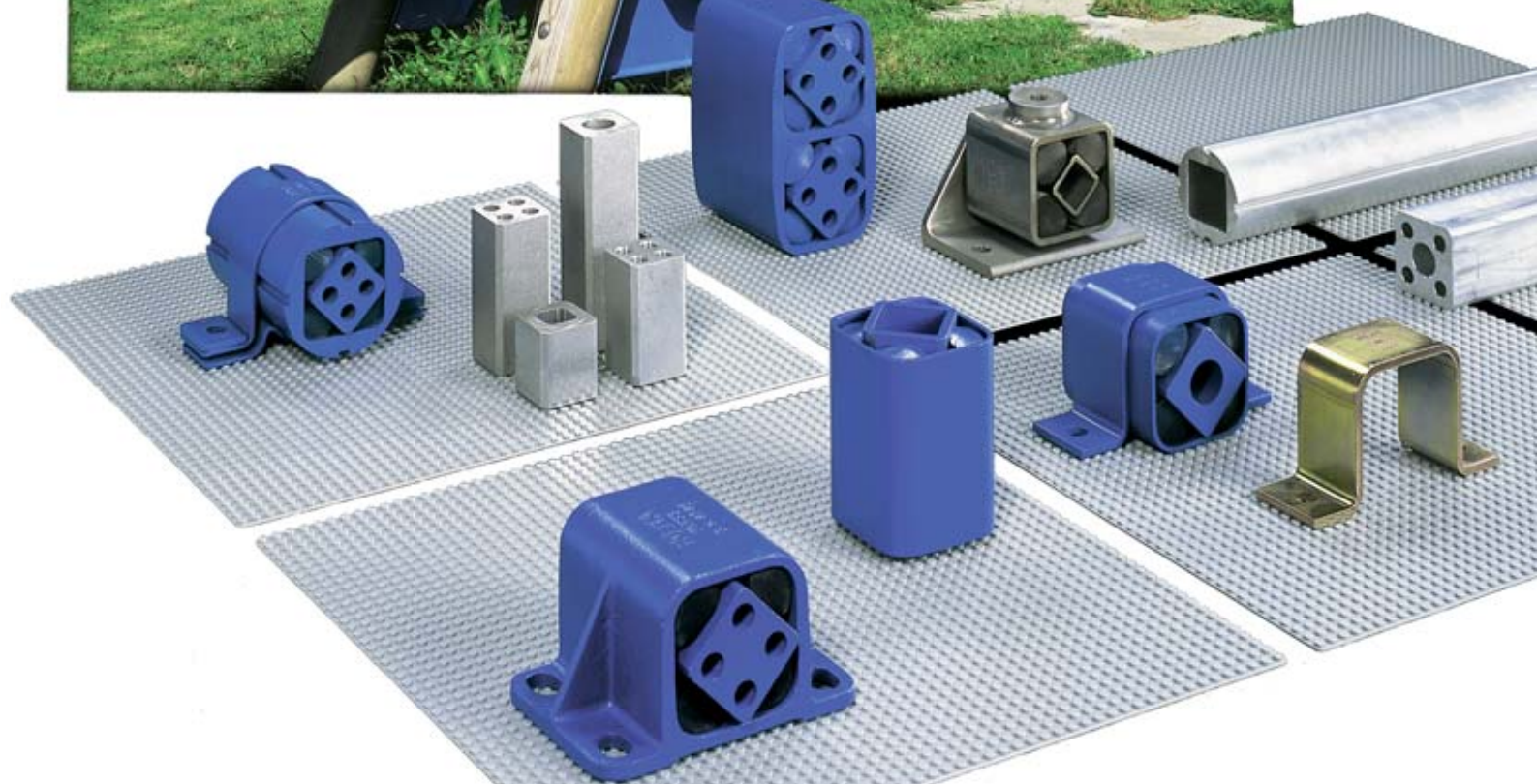
ROSTA



*swinging solutions*

# Product selection for playground and outdoor-fitness equipment

- Total control and stability
- No trapping points
- Vandal-proof
- Maintenance free



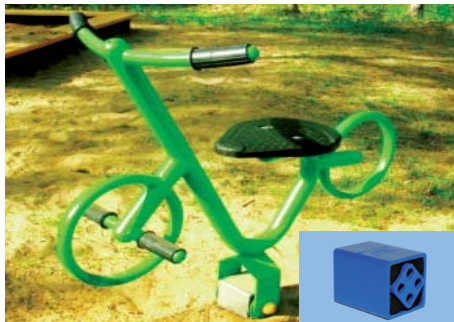
# ROSTA components for playgrounds

## Seesaw for two children



Art.-N°.	Type	Seesaw length mm	Installation type	Amount
01 101 015	<b>Dw-A 45x100</b>	800 - 1250	Base / Centered	1
01 101 013	<b>Dw-A 50x120</b>	1250 - 1900	Base / Centered	1
01 101 014	<b>Dw-A 50x200</b>	1900 - 3000	Base / Centered	1

## Seesaw for one child



Art.-N°.	Type	Seesaw length mm	Installation type	Amount
01 041 013	<b>DR-A 45x80</b>	500 - 800	Base	1
01 011 014	<b>DR-A 45x100</b>	800 - 1250	Base	1
01 011 016	<b>DR-A 50x120</b>	800 - 1250	Ground	1

## Seesaw for two children, 60°



Art.-N°.	Type	Seesaw length mm	Installation type	Amount
01 041 014	<b>DO-A 45x100</b>	800 - 1250	Base	1
01 041 016	<b>DO-A 50x120</b>	800 - 1250	Ground	1

## Seesaw for two children standing



Art.-N°.	Type	Seesaw length mm	Installation type	Amount
01 041 014	<b>DR-S 45x80</b>	1250 - 1500	Base / Centered	2
01 041 016	<b>DR-A 50x120</b>	1250 - 1500	Base / Centered	1

### Seesaw for several children



Art.-N°	Type	Seesaw length mm	Installation type	Amount
07 061 004	<b>AK 38</b>	800 - 1250	Base / Centered	1
07 061 005	<b>AK 45</b>	1250 - 1900	Base / Centered	1

### Hanging Seesaw for several children



Art.-N°	Type	Seesaw length mm	Installation type	Amount
01 011 014	<b>DR-A 45x100</b>	800 - 1250	Base / Centered	1 - 2
01 011 016	<b>DR-A 50x120</b>	1250 - 1900	Base / Centered	1 - 2



### Complements:

#### Clamp type «BR»

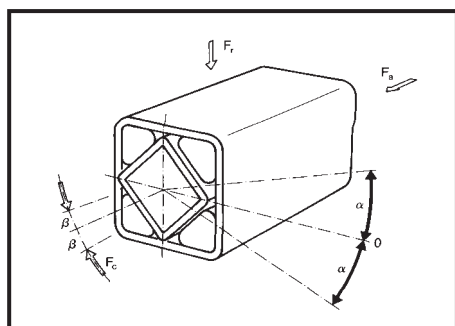


Art.-N°	Type	For elements type	Amount
01 500 006	<b>BR 45</b>	DR-S / DR-A	2
01 500 007	<b>BR 50</b>	DR-S / DR-A	2

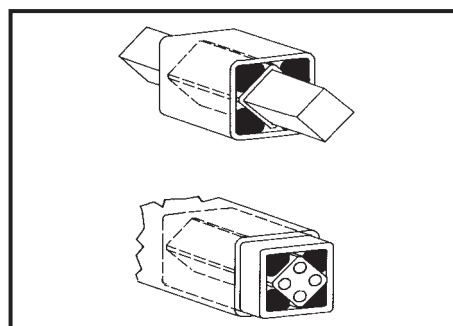
## ROSTA components typically used for outdoor-fitness equipment



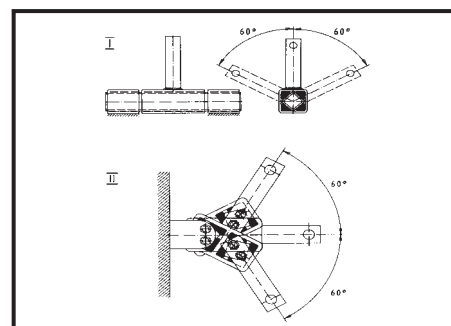
### Indications:



See in our catalogue the list of permissible loads, ensure the correct selection element in function of the load to be supported.



We supply different fixation types, the most common is the type «S», to insert a square bar or the type «A» to use a threaded rod or metric screw.



For some applications it is possible to combine our elements to multiply the angle of rotation, connect them in series (Fig I) or use our system type «DO» (Fig. II) to get 60° rotation angle.

**Attention:** Always consider the admitted loads, this application book is only a technical proposal, perform a functional test according your design requirements.



**ROSTA** 

ROSTA AG  
 CH - 5502 Hunzenschwil  
 Tel. +41 62 897 24 21  
 Fax. +41 62 897 15 10  
 E-Mail info@rosta.ch  
 Internet www.rosta.ch