

Hygienic Design Gearboxes

corrosion-resistant | hygienic | powerful

Our response to the requirements of the pharmaceutical and food processing industries.

The material selection, the design, and the surface finish ensure optimal cleaning characteristics and maximum hygiene.

The complete **stainless-steel finish** of all external components effectively prevents all forms of corrosion and is also resistant to acids and lyes.

The typical product properties such as superb running smoothness, high efficiency, robustness and cycle accuracy are guaranteed, and our excellent ability to supply goes without saying.

Application Examples for Stainless-Steel Bevel Gears

Food industry, beverage industry, chemical industry, pharmaceutical sector, offshore



Performance data deviating from product catalogue

			Gear ratio						
			1:1	1.5:1	2:1	3:1	4:1	5:1	6:1
V 065	Max. continuous operation speed	N _{1max} at S1 [rpm]*	2400	3000	3000	3000			
	Max. intermittent operation speed	N _{1max} at S5 [rpm]*	3000	3000	3000	3000			
	Maximum permissible torque	T _{2max} [Nm]	25	25	25	25			
	Thermal limit rating	P _{1Nt} [kW]	1.55	1.55	1.55	1.55			
V 090	Max. continuous operation speed	N _{1max} at S1 [rpm]*	1500	2400	3000	3000	3000	3000	3000
	Max. intermittent operation speed	N _{1max} at S5 [rpm]*	3000	3000	3000	3000	3000	3000	3000
	Maximum permissible torque	T _{2max} [Nm]	105	45	80	70	70	60	50
	Thermal limit rating	P _{1Nt} [kW]	3.6	3.6	3.6	3.6	3.6	3.6	3.6
V 120	Max. continuous operation speed	N _{1max} at S1 [rpm]*	1000	1500	1500	3000	3000	3000	3000
	Max. intermittent operation speed	N _{1max} at S5 [rpm]*	3000	3000	3000	3000	3000	3000	3000
	Maximum permissible torque	T _{2max} [Nm]	220	100	169	155	155	140	120
	Thermal limit rating	P _{1Nt} [kW]	5.8	5.8	5.8	5.8	5.8	5.8	5.8
V 140	Max. continuous operation speed	N _{1max} at S1 [rpm]*	750	1000	1500	2400	3000	3000	3000
	Max. intermittent operation speed	N _{1max} at S5 [rpm]*	3000	3000	3000	3000	3000	3000	3000
	Maximum permissible torque	T _{2max} [Nm]	430	210	320	280	280	250	200
	Thermal limit rating	P _{1Nt} [kW]	9	9	9	9	9	9	9

*S1: 100% on-time

*S5: 50% on-time

Characteristics / Features

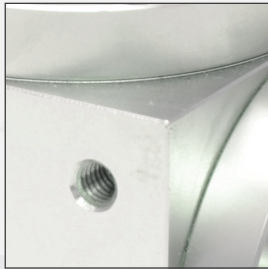
1.	Material	V2A / V4A
2.	Surface	Ra < 0.8
3.	Lubrication	NOTOX as per NSF ISO 21469
4.	Lasered identification plate	yes
5.	Shaft sealing ring	with AS dust-protection lip
6.	Mounting bores	customised only
	Venting	none
	Dimensions	as per catalogue

We can offer you other gearbox sizes and gearbox combinations in connection with an IEC motor (see title page) with different performance ranges.

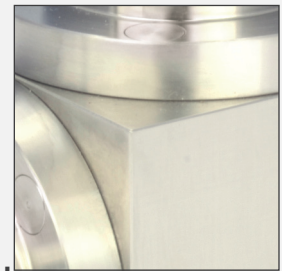
We will be glad to answer your enquiry.



1. Non-rusting V2A / V4A stainless steel



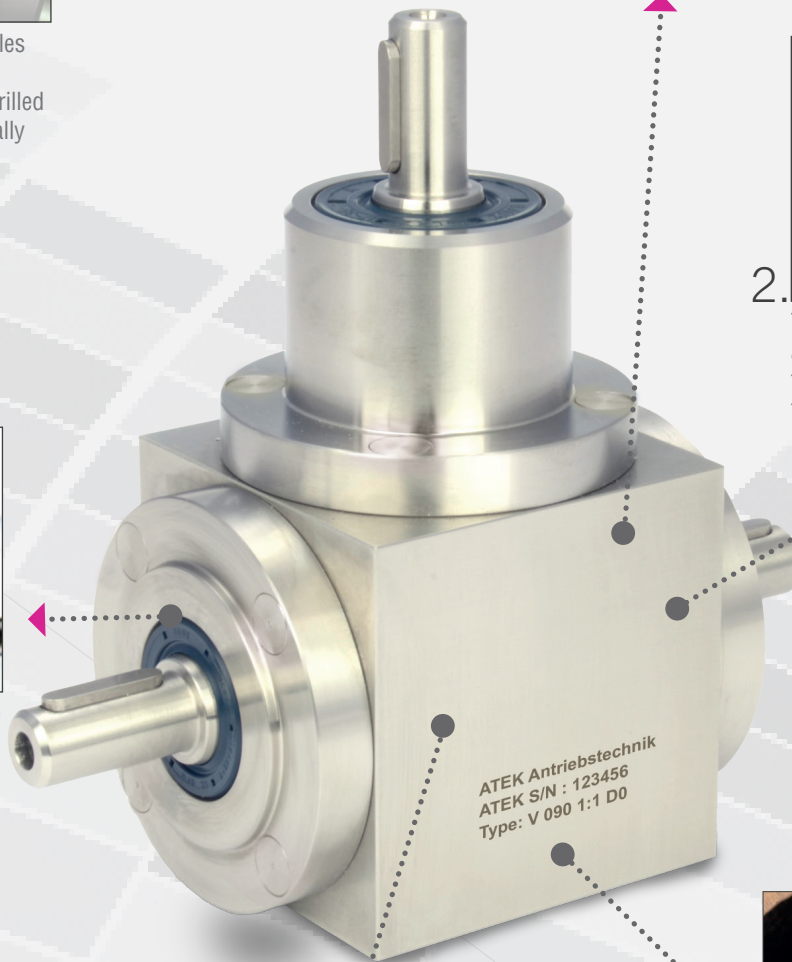
6. Threaded mounting holes according to customer specifications will be drilled only where they are really needed.



2. The outer casing finish has a surface roughness of less than Ra 0.8 to protect it from dirt collection



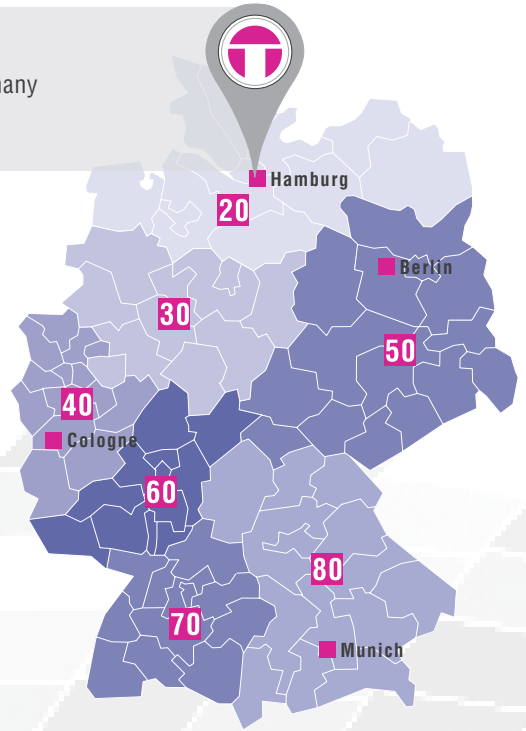
5. The shaft sealing rings have an additional sealing lip (acting from the outside to the inside)



3. Lubrication is effected by the lubricants approved for food/ pharmaceutical and aseptic/ sterile sectors



4. Important gearbox data are lasered directly onto the gearbox casing



ATEK in Germany

20 HEINRICH WOLF GmbH & Co. KG
 Albert-Einstein-Str. 12
 D-23701 Eutin
 Tel.: +49 4521 79677-0
 Fax: +49 4521 79677-29
 info@wolf-eutin.de
 www.wolf-eutin.de

30 INFRA Antriebe Hans Nelk GmbH
 Alter Kirchpfad 6
 D-32657 Lemgo
 Tel.: +49 5261 3445
 Fax: +49 5261 15641
 info@infra-antriebe.de
 www.infra-antriebe.de

40 Hasske und Meermann Antriebstechnik GmbH
 Forststrasse 51
 D-40721 Hilden
 Tel.: +49 2103 5821-0
 Fax: +49 2103 5821-25
 hi@hasskeundmeermann.de
 www.hasskeundmeermann.de

50 Ingenieurbüro Weber
 Mengelröder Weg 2b
 D-37308 Heilbad Heiligenstadt
 Tel.: +49 3606 506144
 Fax: +49 3606 506145
 ib.weber@gmx.de

60 Bretzel GmbH Antriebs- und Elektotechnik
 Rotböhl 8
 D-64331 Weiterstadt
 Tel.: +49 6150 86560-0
 Fax: +49 6150 86560-69
 info@bretzel-gmbh.de
 www.bretzel-gmbh.de

70 B&K Antriebstechnik GmbH
 Anhauser Str. 76
 D-89547 Gerstetten-Deitingen
 Tel.: +49 7324 91012-0
 Fax: +49 7324 91012-25
 info@b-k-antriebstechnik.de
 www.b-k-antriebstechnik.de

80 KW Antriebs- & Automationstechnik GmbH
 Koberger Str. 39
 D-90408 Nürnberg
 Tel.: +49 911 3663369-0
 Fax: +49 911 3663369-15
 info@kw-antriebstechnik.de
 www.kw-antriebstechnik.de

ATEK worldwide

Australia
Mecco Mech. Comp. PTY Ltd.
 193 Orange Valley Road
 6076 Kalamunda
 Tel.: +61 89 2910000
 Fax: +61 89 2910066
 meccocomps@gmail.com
 www.mecco.com.au

Belgium
Bege Aandrijftechniek BVBA
 Puttestraat 73
 2940 Stabroek
 Tel.: +32 36 051605
 Fax: +32 36 053605
 bege@bege.be
 www.bege.be

United Kingdom
Marshward Power Transmission Ltd.
 Unit 9, Warwick House
 Business Park
 Southern
 CV472PT Warwickshire
 Tel.: +44 1926 815480
 Fax: +44 1926 817116
 http://www.marshward.com
 info@marshward.com

France
Comp'Aut. Sarl
 78 rue Carnot
 74000 Annecy
 Tel.: +33 45057 0791
 Fax: +33 45057 2145
 contact@compaut.com
 www.compaut.com

India
Power Ace Eng. Co.
 17AF, New Empire Ind. Estate
 Kondivita Lane, Andheri(e)
 400059 Mumbai
 Tel.: +91 22 28205862
 Fax: +91 22 28202478
 response@poweraceindia.com
 www.poweraceindia.com

Italy
SETEC S.p.A.
 Via Mappano 17
 10071 Borgaro Torinese Torino
 Tel.: +39 011 4518611
 Fax: +39 011 4704891
 info.to@setec-group.it
 www.setec-group.it

Netherlands
Bege Aandrijftechniek B.V.
 Anton Philipsweg 30
 2171 KX Sassenheim
 Tel.: +31 252 220220
 Fax: +31 252 218484
 bege@bege.nl
 www.bege.nl

Norway
Centa Transmisjoner A.S.
 Breiliveien 49
 3217 Sandefjord
 Tel.: +47 334 83100
 Fax: +47 334 83110
 centa@centa.no
 www.centa.no

Poland
DEMERO SP.j.
 Ul. Graniczna 145
 54-530 Wrocław
 Tel.: +48 71 3882300
 Fax: +48 71 3882311
 biuro@demero.pl
 http://www.demero.pl

Russia
Stankoservice-Sokol 000
 ul. Tschasowaya 28, Building 4
 125315 Moscow
 Tel.: +7 49 52251339
 Fax: +7 49 52251339
 info@stserv.ru
 www.stserv.ru

Sweden
Nord Drivsystem AB
 Ryttagatan 277
 19471 Upplands Väsby
 Tel.: +46 859 411400
 Fax: +46 859 411414
 info@nord-se.com
 www.nord-se.com

Switzerland
Flohr Industrietechnik GmbH
 Zilistude 164
 5465 Mellikon
 Tel.: +41 56 2670810
 Fax: +41 56 2670825
 info@flohr-industrietechnik.ch
 www.flohr-industrietechnik.ch

South Africa
Remag (Pty) Ltd.
 Midway Park
 770 Gallagher Avenue
 1685 Midrand
 Tel.: +27 11 3155672
 Fax: +27 11 3155570
 remag@intekom.co.za

Spain
Amel Tecnica Industrial S.L.
Pol. Ind. Can Bernades-Subirá
 C/ Berguedá 15 Nave 17 B
 08130 Santa Perpètua de la Mogoda
 Tel.: +34 937 162424
 Fax: +34 937 162458
 xcomas@ameltecnica.com

South Korea
Alpha Tech Co., LTD
 #222-26, Nae-dong, Ojung-Ku
 421-170 Bucheon-City, Kyunggi-Do
 Tel.: +82 32 6243848
 Fax: +82 32 6243849
 tkle64@hanafos.com

Czech Republic
RAVEO s.r.o.
 Trida Tomase Bati 181
 76502 Otrokovice
 Tel.: +42 05 77663875
 Fax: +42 05 77663875
 info@raveo.cz
 www.raveo.cz

Turkey
Servo Kontrol Ltd. Sti
 Perpa Ticaret Merkezi B Blok Kat: 11
 No: 1609
 80270 Okmeydani / Istanbul
 Tel.: +90 212 320 30 80
 Fax: +90 212 320 30 81
 info@servokontrol.com
 www.servokontrol.com

USA
GAM Gear, L.L.C.
 901 Business Center Drive
 60056 Mount Prospect, Illinois
 Tel.: +1 - 847 / 649 2500
 Fax: +1 - 847 / 649 2501
 info@gamweb.com
 http://www.gamweb.com/

People's Republic of China
SEW-Eurodrive (Tianjin) Co Ltd.
 No. 78, 13th Avenue Tianjin Economic
 Technological Development Area
 Tianjin 300457
 Tel.: +86 22 59836655
 Fax: +86 22 59836651
 info@sew-eurodrive.com.cn
 www.sew-eurodrive.com.cn

Beijing Genju Science and Technology Development Co Ltd.
 Jin Gu Mansions, No. 55,
 Xingshikou Road, Haidian District,
 Beijing 100195
 Tel.: +86 10 88459170
 Fax: +86 10 88454543
 info@genju.com.cn
 www.genju.com.cn

Singapore, Malaysia, Indonesia
SM Component
 196 Pandan Loop #06-01
 Pantech Business Hub
 Singapore 128384
 Tel.: +65 6569 1110
 Fax: +65 6569 2220
 sales@sm-component.com

